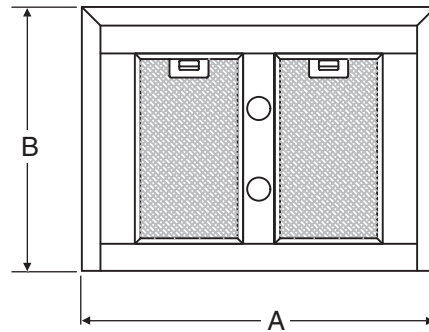
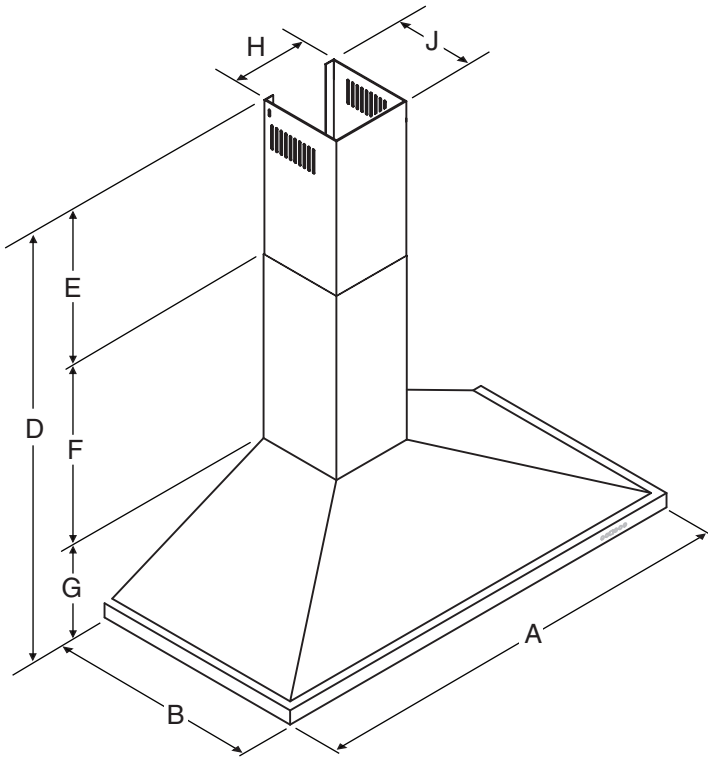




WALL MOUNT CHIMNEY HOOD



Style of product may vary from picture

PRODUCT DIMENSIONS

	INCHES	CENTIMETERS
A	30	76.2
B	22	55.9
C	1 3/16	3.0
D	28 15/16 - 46 5/8	73.5 - 118.4
E	21 5/8	54.9
F	21 5/8	54.9
G	5 5/16	13.5
H	10 7/16	26.5
J	10 7/16	26.5

MODEL SKUs

JXT8030

NOTES:

Minimum mount height between range top to hood bottom should be no less than 24". Maximum mount height should be no higher than 32". It is important to install the hood at the proper mounting height. Hoods mounted too low could result in heat damage and fire hazard; while hoods mounted too high will be hard to reach and will lose performance and efficiency.

Electrical requirements: Adequately wired individual 120V A/C, 60Hz approved electrical circuit. Use required fuse (15 amp) or comparable circuit breaker.